

# INSTRUCTION MANUAL

MODEL: CTF7203

## IMPORTANT NOTICE

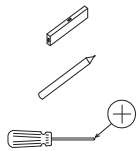
- Before the installation process begins, ensure that all components are in the box, and that the door is not damaged in any way.
- Be careful when handling the product, especially the glass, as it is tempered and is designed to shatter if cracked or chipped.
- Read these instructions carefully and install the enclosure as specified below. We recommend that you use one of our preferred installers to install this enclosure.

## Tools used during installation.

Spirit level

Pencil

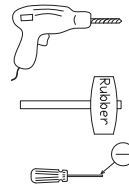
Star Screwdriver



Drill

Rubber hammer

Flat Screw Driver

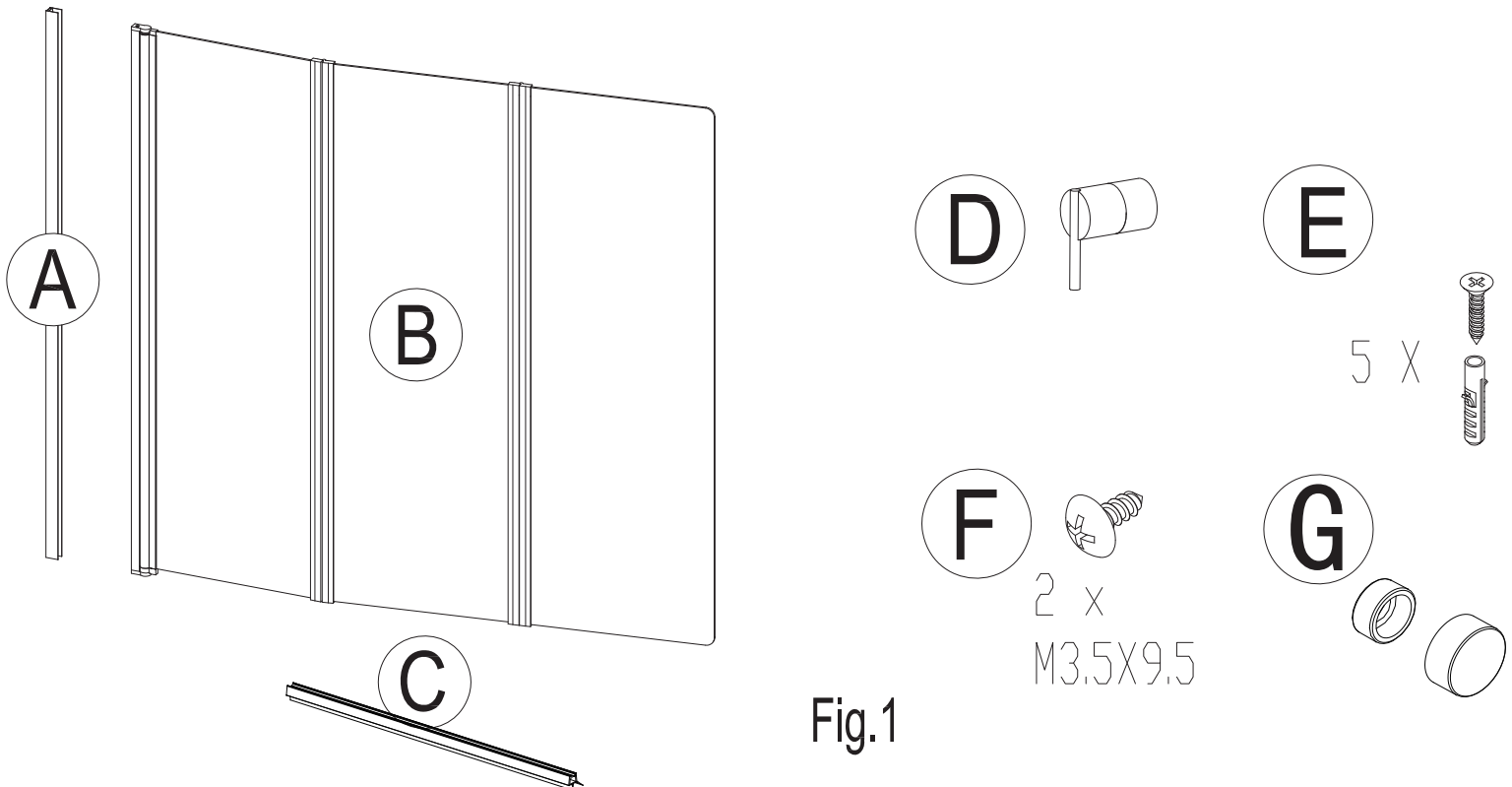


Tape Measure

Silicone Sealer



## Accessories list



N.O.	PART NAME	QUAN.	N.O.	PART NAME	QUAN.	N.O.	PART NAME	QUAN.
A	ALUMINUM CHANNEL	1	D	DOOR CLIP	1	G	SCREW COVER	2
B	SCREEN PANEL	1	E	SCREW AND WALL PLUGS	5			
C	RUBBER SEALS	3	F	M3.5*9.5 SCREW	2			

- **Installation Guide**

1. Using part No. A, Place aluminum wall channel against wall. Use a spirit level to ensure part is level then mark drilling position with a pencil. Attach channel to wall using supplied screws and wall plugs. (Wath out the water pipes and electric wires)
2. (Fig.3) You must slide the bath screen over the now installed wall channel. Once you have correctly compensated and positioned the bath screen. You must drill a hole through the aluminum profile on the glass into the aluminum wall channel. Apply screws for stability and use covers to cover the head.
3. (Fig.4) and (Fig.5) Install the rubber sead under the bottom. And fix the door clip onto suitable place on the wall.

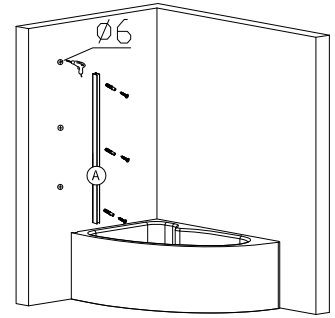


Fig.2

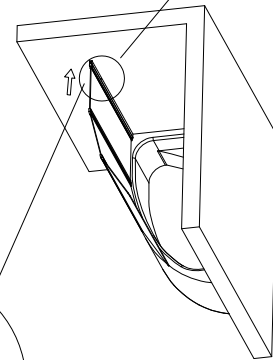
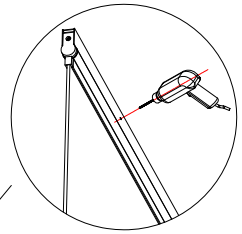
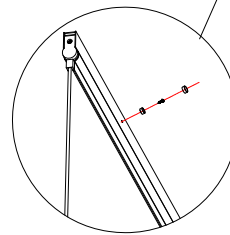


Fig.3



- **Sealing the enclosure**

1. Once the enclosure has now been installed. You must use a good quality anti-fungal clear silicone to seal between the wall channel and walls. DO NOT use shower enclosure 24 hours.

- **Looking after your shower enclosure**

1. Do not apply excessive pressure when opening or closing glass panels
2. Do not use abrasive products to clean with as they can damage the aluminum.

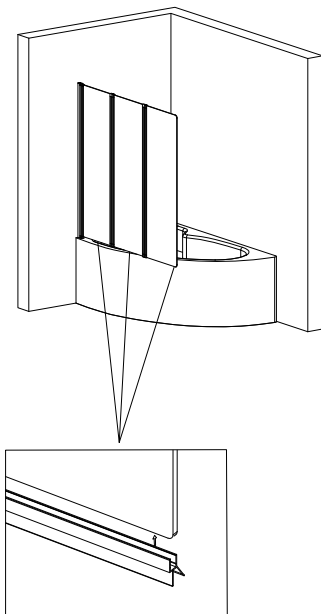


Fig.4

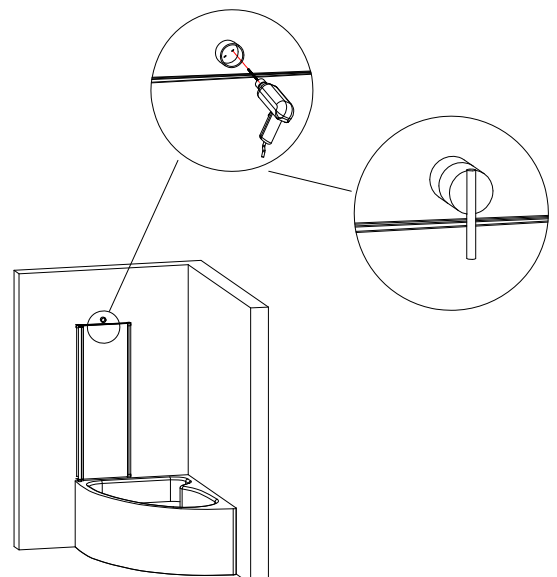


Fig.5